

TRIBLE FROG-EYE



Material : Aluminum die-cast housing.

IP Class : IP67

Suitable Operating Ambient Temperature : $-20^{\circ}\text{C} < t_a < + 45^{\circ}\text{C}$

Atex Certificate : CE -EN-IEC 60598-1-EN IEC 60598-2-1

Led : OSRAM/PHILIPS

Power Options : 45W/60W/84W

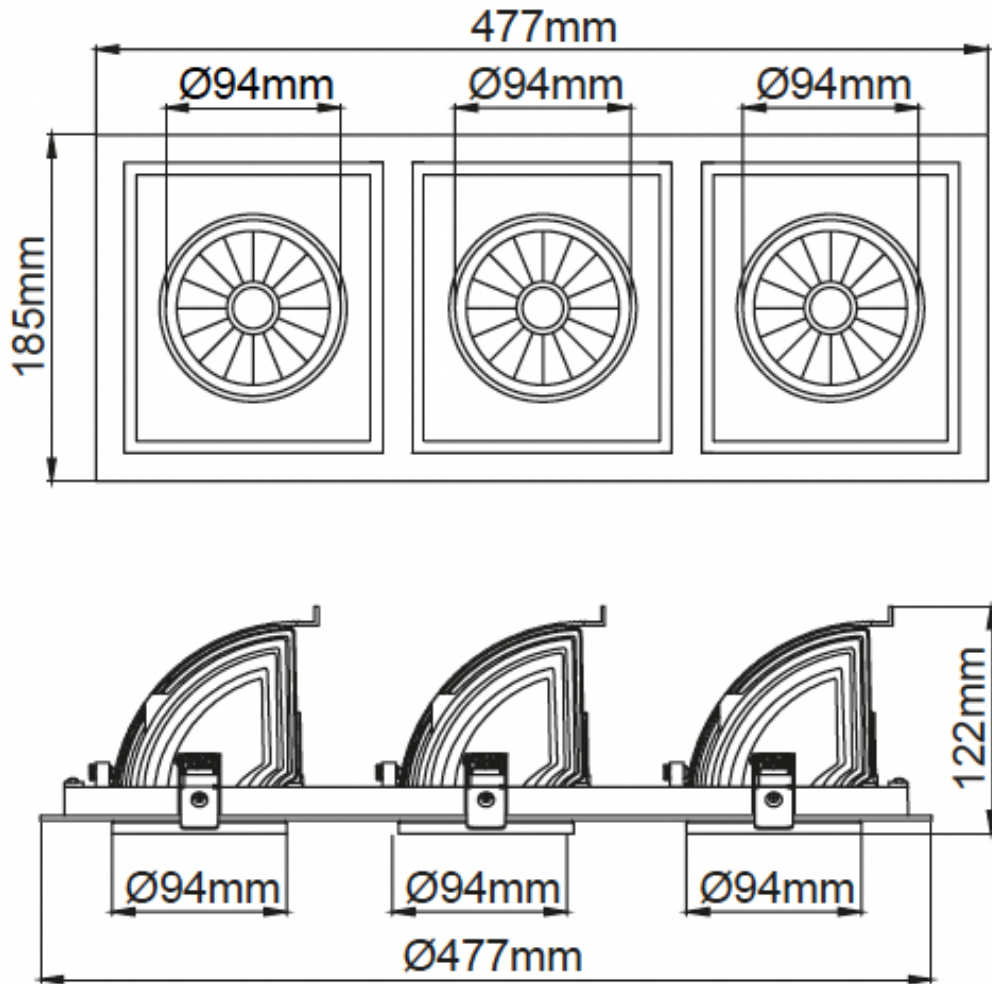
Driver : OSRAM

Suitable Operating Voltage Range : 220-240V

Frequency Range : 50-60 Hz

Paint : Electrostatic Powder Coating

Mounting Accessories : Custom Plastic Connector



CODE	POWER	DIMENSIONS	LUMEN	KELVIN	MOUNTING CUT-OUT SIZE	CRI	WEIGHT
TRIBLE FROG-EYE	3x15W	477/185/130	4200	3000/4000/5000	-	CRI>95	1,7 kg
TRIBLE FROG-EYE	3x20W	477/185/130	5600	3000/4000/5000	-	-	1,7 kg
TRIBLE FROG-EYE	3x28W	477/185/130	7840	3000/4000/5000	-	CRI>95	1,7 kg

ZEY LUX