



MINI-PAH-2



Material : Aluminum die-cast housing.

IP Class : IP20

Suitable Operating Ambient Temperature : $-20^{\circ}\text{C} < t_a < + 45^{\circ}\text{C}$

Atex Certificate : CE -EN-IEC 60598-1-EN IEC 60598-2-1

Cable Gland Entries : Pg6

Led : Ledvance/Tyf/Philips

Power Options : 12W/18W

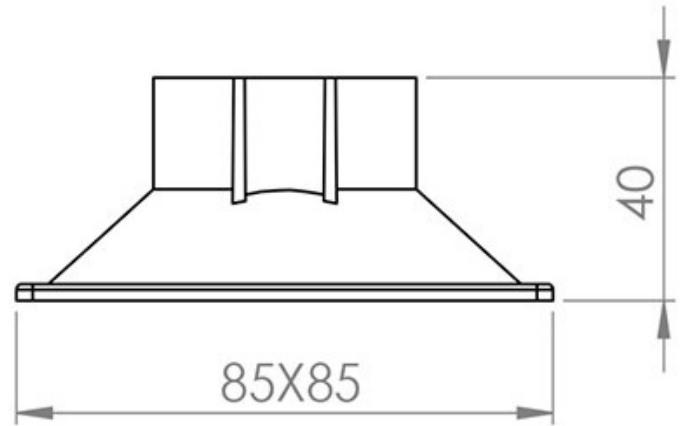
Driver : LIFUT/EAGLERISE/OSRAM ELEMENT

Suitable Operating Voltage Range : 220-240V

Frequency Range : 50-60 Hz

Paint : Electrostatic Powder Coating

Mounting Accessories : Metal Leg



CODE	POWER	DIMENSIONS	LUMEN	KELVIN	MOUNTING CUT-OUT SIZE	CRI	WEIGHT
MINI-PAH-2	12W	100/70	1680	4000/5000/3000	-	CRI>95	0,38 kg
MINI-PAH-2	18W	100/70	2520	4000/5000/3000	-	CRI>95	0,38 kg



ZEY LUX