

## MINI GODVHEN



Material : Aluminum die-cast housing.

IP Class : IP20

Suitable Operating Ambient Temperature :  $-20^{\circ}\text{C} < t_a < + 45^{\circ}\text{C}$

Atex Certificate : CE -EN-IEC 60598-1-EN IEC 60598-2-1

Cable Gland Entries : Trifaze/monofaze soket

Led : LEDVANCE/TYF/PHILIPS

Power Options : 15W/23W

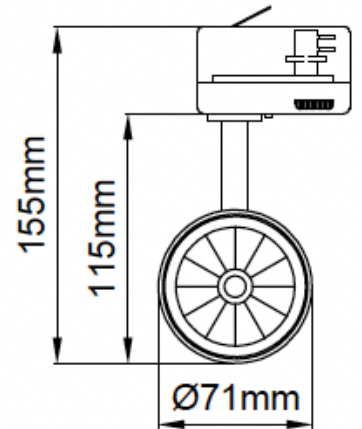
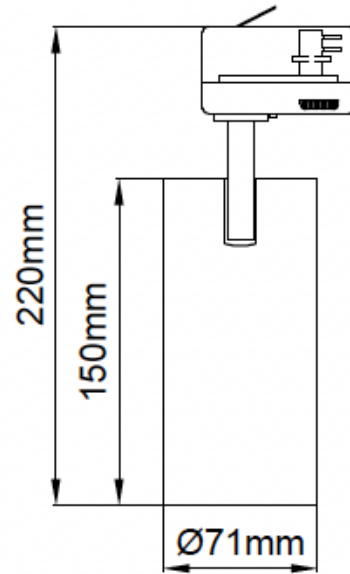
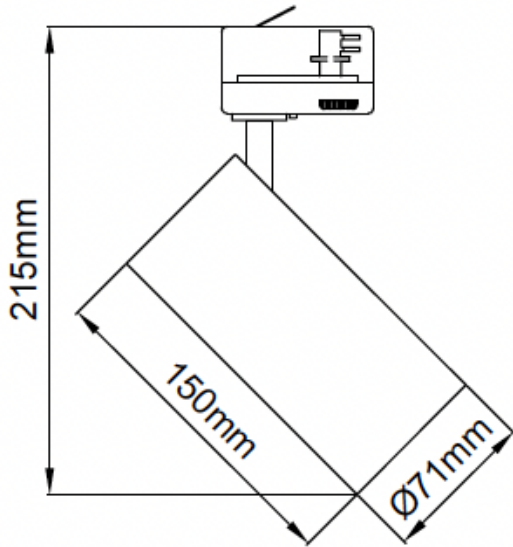
Driver : LIFUT/EAGLERISE/OSRAM ELEMENT

Suitable Operating Voltage Range : 220-240V

Frequency Range : 50-60 Hz

Paint : Electrostatic Powder Coating

Mounting Accessories : TRIFAZE/MONOFAZE RAY



CODE	POWER	DIMENSIONS	LUMEN	KELVIN	MOUNTING CUT-OUT SIZE	CRI	WEIGHT
MINI-GODVHEN	15W	150/75	2100	4000/5000/3000	-	CRI>95	0,85 kg
MINI-GODVHEN MIDI-GODVHEN	23W	150/75	3220	4000/5000/3000	-	CRI>95	0,85 kg