



## KALUST

Material : Aluminum Injection Molded Body, 4 mm Tempered Glass.

IP Class : IP67

Suitable Operating Ambient Temperature :  $-20^{\circ}\text{C} < t_a < + 45^{\circ}\text{C}$

Atex Certificate : CE -EN-IEC 60598-1-EN IEC 60598-2-1

Cable Gland Entries : Pg9

Led : PHILIPS/OSRAM/CREE

Power Options : 25W/40W/60W

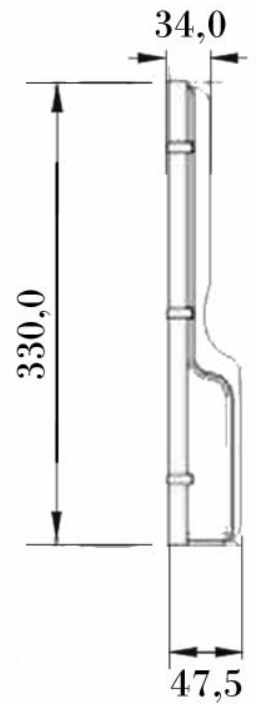
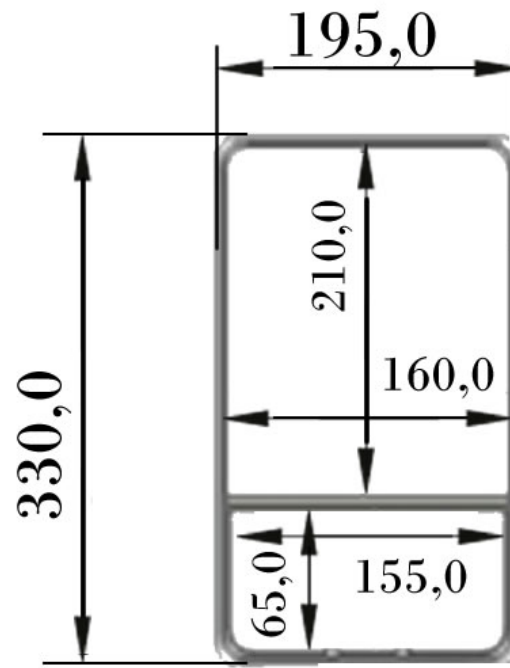
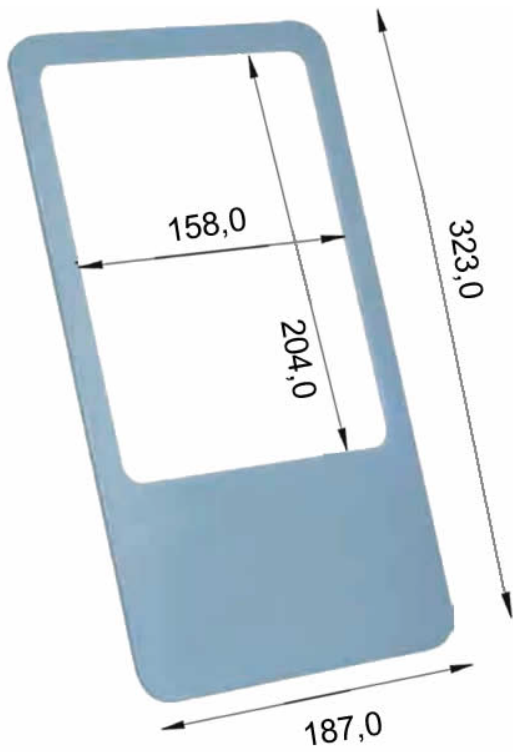
Driver : MOSO/PHILIPS/INVERTRONICS/TRIDONIC

Suitable Operating Voltage Range : 220-240V

Frequency Range : 50-60 Hz

Paint : Electrostatic Powder Coating

Mounting Accessories : Metal Legs



CODE	POWER	DIMENSIONS	LUMEN	KELVIN	MOUNTING CUT-OUT SIZE	CRI	WEIGHT
KALUST	25W	330/195/60	3500	4000/5000/6500	-	CRI>95	2,8 kg
KALUST	40W	330/195/60	5600	4000/5000/6500	-	CRI>95	2,8 kg
KALUST	60W	330/195/60	8400	4000/5000/6500	-	CRI>95	2,8 kg



**ZEY LUX**