

## GADEL



Material: Aluminum die-cast housing

IP Class : IP67

Suitable Operating Ambient Temperature :  $-20^{\circ}\text{C} < t_a < + 45^{\circ}\text{C}$

Certificate : CE -EN-IEC 60598-1-EN IEC 60598-2-1

Cable Gland Entries : Pg7

Led : LEDVANCE/TYF

Power Options : 7W

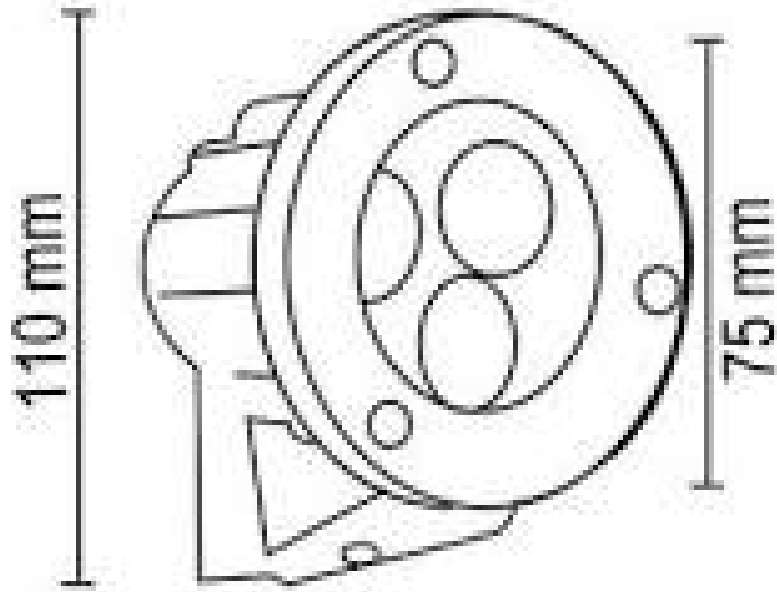
Driver : LIFUT/EAGLERISE/OSRAM ELEMENT

Suitable Operating Voltage Range : 220-240V

Frequency Range : 50-60 Hz

Paint : Electrostatic Powder Coating

Mounting Accessories : Screw and Wall Anchor Set



| CODE   | POWER | DIMENSIONS    | LUMEN | KELVIN         | MOUNTING CUT-OUT SIZE | CRI    | WEIGHT  |
|--------|-------|---------------|-------|----------------|-----------------------|--------|---------|
| CEGART | 100W  | 535/ 252 / 60 | 14000 | 4000/5000/6500 | -                     | CRI>80 | 4,75 kg |
| CEGART | 150W  | 535/ 252 / 60 | 21000 | 4000/5000/6500 | -                     | CRI>80 | 4,74 kg |
| CEGART | 180W  | 535/ 252 / 60 | 25200 | 4000/5000/6500 | -                     | CRI>80 | 4,75 kg |



**ZEY LUX**