

DOUBLE FROG-EYE



Material: Aluminum die-cast housing

IP Class : IP20

Suitable Operating Ambient Temperature : $-20^{\circ}\text{C} < t_a < + 45^{\circ}\text{C}$

Certificate : CE -EN-IEC 60598-1-EN IEC 60598-2-1

Led : OSRAM/PHILIPS

Power Options : 30W/40W/56W

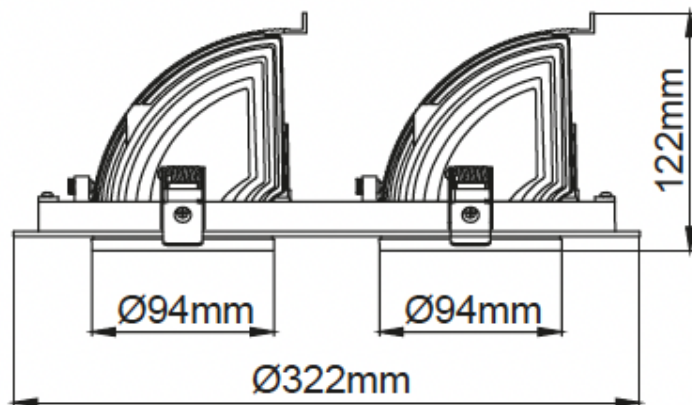
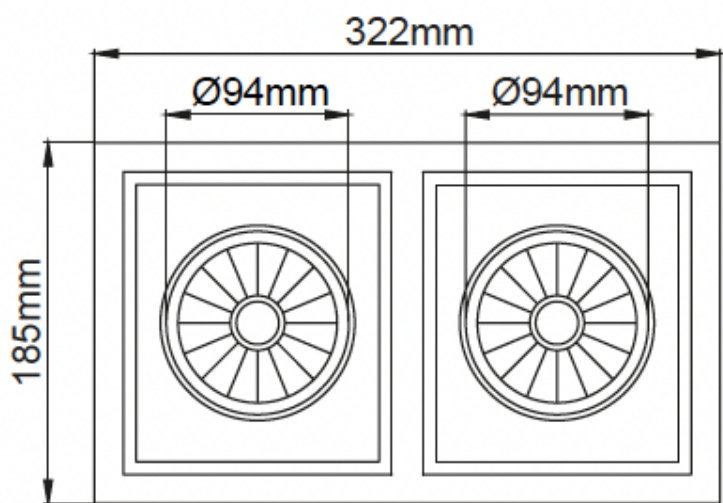
Driver : OSRAM

Suitable Operating Voltage Range : 220-240V

Frequency Range : 50-60 Hz

Paint : Electrostatic Powder Coating

Mounting Accessories : Steel Wire Pendant



CODE	POWER	DIMENSIONS	LUMEN	KELVIN	MOUNTING CUT-OUT SIZE	CRI	WEIGHT
DOUBLE FROG-EYE	2x15W	320/ 185 / 130	4200	3000/4000/5000	-	CRI>95	1,2 kg
DOUBLE FROG-EYE	2x20W	320/ 185 / 130	5600	3000/4000/5000	-	CRI>95	1,2 kg
DOUBLE FROG-EYE	2x28W	320/ 185 / 130	7840	3000/4000/5000	-	CRI>95	1,2 kg

ZEY LUX