

ZLX-ETANJ-AL



Material : Aluminum die-cast housing.

IP Class : IP65

Suitable Operating Ambient Temperature : $-20^{\circ}\text{C} < t_a < + 45^{\circ}\text{C}$

Atex Certificate : CE -EN-IEC 60598-1-EN IEC 60598-2-1

Cable Gland Entries : Pg7

Led : PHILIPS/OSRAM/CREE/NICHIA

Power Options : 25W/50W

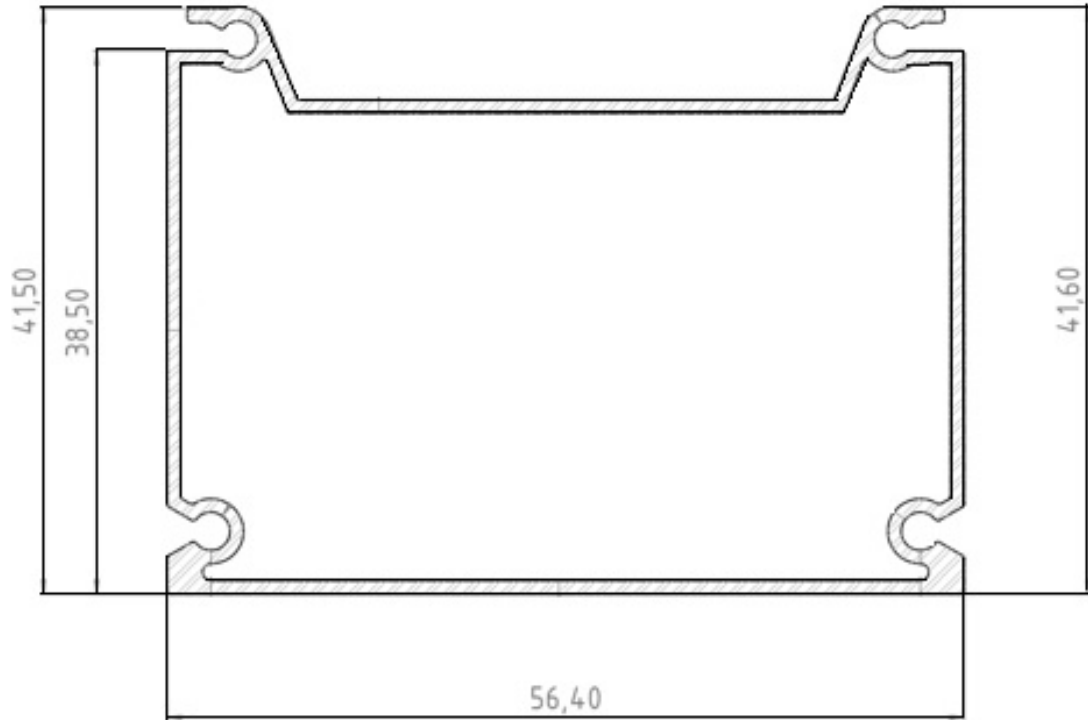
Driver : PHILIPS//TRIDONIC

Suitable Operating Voltage Range : 220-240V

Frequency Range : 50-60 Hz

Paint : Electrostatic Powder Coating

Mounting Accessories : Metal Leg / Pendant



CODE	POWER	DIMENSIONS	LUMEN	KELVIN	MOUNTING CUT-OUT SIZE	CRI	WEIGHT
ZLX-ETANJ-AL	25W	600/ 56/ 42	3500	4000/5000/6500	-	CRI>90	0,175 kg
ZLX-ETANJ-AL	50W	120/ 56/ 42	7000	4000/5000/6500	-	CRI>90	0,350 kg