

VAULT



Material : Aluminum die-cast housing.

IP Class : IP67

Suitable Operating Ambient Temperature : $-20^{\circ}\text{C} < t_a < + 45^{\circ}\text{C}$

Atex Certificate : CE -EN-IEC 60598-1-EN IEC 60598-2-1

Cable Gland Entries : Pg9

Led : LEDVANCE/TYF/PHILIPS

Power Options : 100W/150W

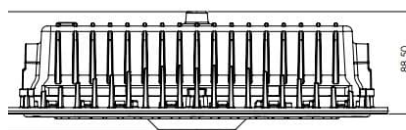
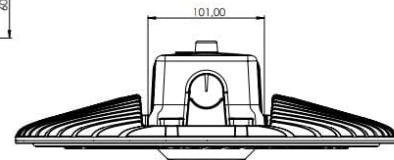
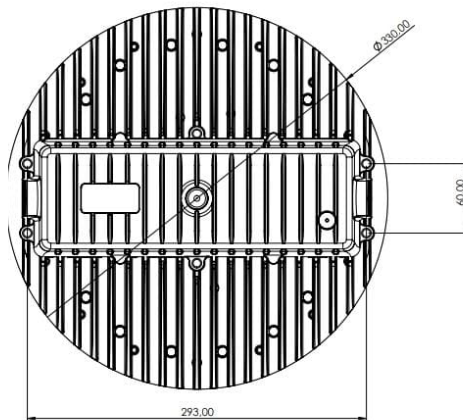
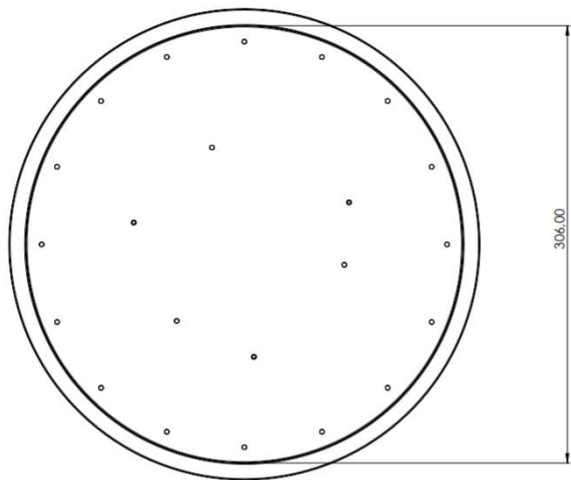
Driver : OSRAM/PHILIPS/LIFUT/EAGLERISE

Suitable Operating Voltage Range : 220-240V

Frequency Range : 50-60 Hz

Paint : Electrostatic Powder Coating

Mounting Accessories : Custom Metal Bracket / Hanger Bolt



CODE	POWER	DIMENSIONS	LUMEN	KELVIN	MOUNTING CUT-OUT SIZE	CRI	WEIGHT
VAULT	100W	80/330	16500	4000/5000/3000	-	CRI>90	3,6 kg
VAULT	150W	80/330	24250	4000/5000/3000	-	CRI>90	3,6 kg



ZEY LUX